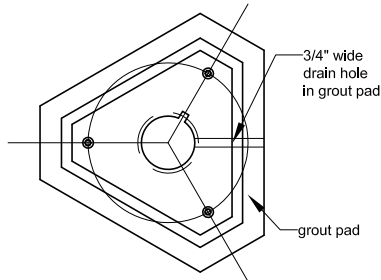


STANDARD LIGHTING: LIGHT POLE FOUNDATIONS ARE TO BE CONSTRUCTED PER STATE STANDARD PLAN J-1b.

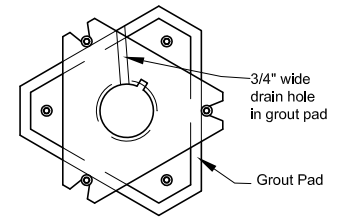
SOME OF THE INFORMATION FROM J-1b IS PRESENTED HERE FOR CONVENIENCE. IF A DISCREPANCY EXISTS, THE STATE STANDARD PLAN WILL PREVAIL.

NOTES:

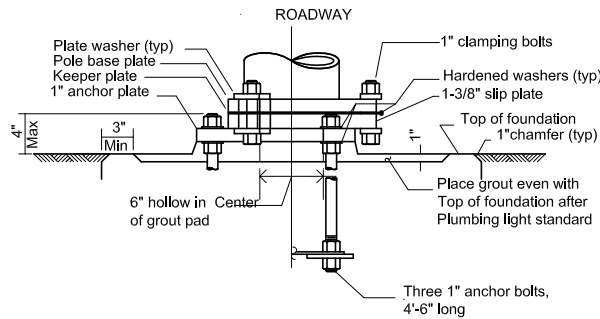
1. ALL MATERIAL AND WORK SHALL BE IN ACCORDANCE WITH CURRENT AASHTO STANDARD SPECIFICATIONS FOR STRUCTURAL SUPPORTS, HIGHWAY SIGNS, LUMINAIRES AND TRAFFIC SIGNALS.
2. THE FOUNDATION IS DESIGNED FOR 2000 PSF AVERAGE SOIL LATERAL BEARING PRESSURE.
3. SEE STANDARD PLAN "CONCRETE BARRIER LIGHT STANDARD SECTION" FOR BASE PLATE AND FOUNDATION REQUIREMENTS WHEN LIGHT STANDARDS ARE MOUNTED ON CONCRETE BARRIER.
4. ROUND AND SMOOTH ALL EDGES ALONG WIRE-WAY TO PROTECT CONDUCTORS. SEE STANDARD PLAN "LIGHT STANDARDS WIRING DETAIL" FOR WIRING DETAILS.
5. THE TOP OF THE SLIP PLATE SHALL NOT EXTEND MORE THE 4" ABOVE THE GROUND LINE.
6. THE TOP OF THE ANCHOR ROD SHALL BE BOTH THREADED AND GALVANIZED A MINIMUM OF 12". THE BOTTOM OF THE ANCHOR ROD SHALL BE THREADED A MINIMUM OF 3". GALVANIZING SHALL BE IN ACCORDANCE WITH AASHTO M111 AFTER THREADING. HOOKED ANCHOR BOLTS ARE NOT ALLOWED.
7. STRAP TEMPLATES SHALL BE HELD ON PLACE BY NUTS 6" FROM THE TOP OF THE FOUNDATION, AND AT BOTTOM OF ANCHOR BOLTS RESTING ON 4" X 3/8" SQUARE WASHERS.
8. FOR INSTALLATIONS WITH DOUBLE 10' MAST ARMS OR GREATER, ON 50' POLE FOUNDATION SHALL BE 5'6" DEEP, AND ANCHOR BOLTS SHALL BE 5'6" LONG BY 1 1/8" DIAMETER.
9. POLE BASE PLATE FOR A SLIP BASE DESIGN SHALL BE 1 1/4" AASHTO M223 GR50. POLE BASE FOR A FIXED BASE DESIGN MAY BE EITHER 1 1/4" AASHTO M223 GR50 OR 1 1/2" AASHTO M183.



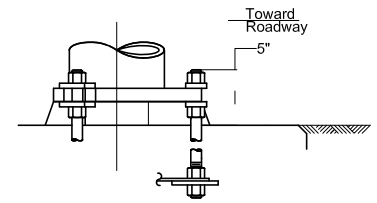
SLIP BASE DETAIL



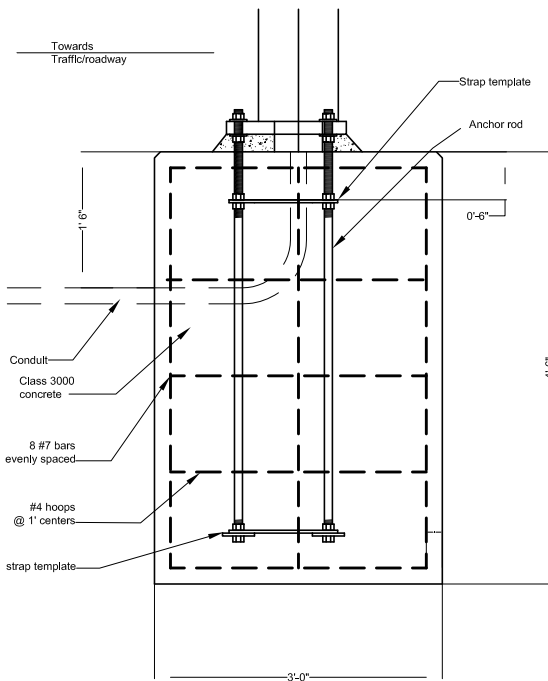
SLIP/ANCHOR PLATES DETAIL
Smooth finish top, bottom, and notched surfaces



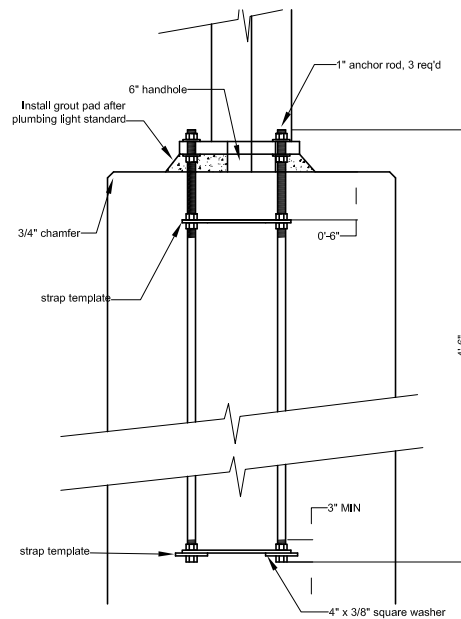
SLIP BASE ELEVATION



FIXED BASE ELEVATION
Details similar to slip base except where noted



FOUNDATION DETAIL (SLIP BASE OR FIXED BASE) ELEVATION



FOUNDATION BASE DETAILS ELEVATION



City of Bremerton

PUBLIC WORKS

ENGINEERING DIVISION

LIGHT POLE FOUNDATION

Alteration of this drawing is prohibited. Any approval of an altered drawing is unauthorized and void.

7014

Revision Date
8/22/08