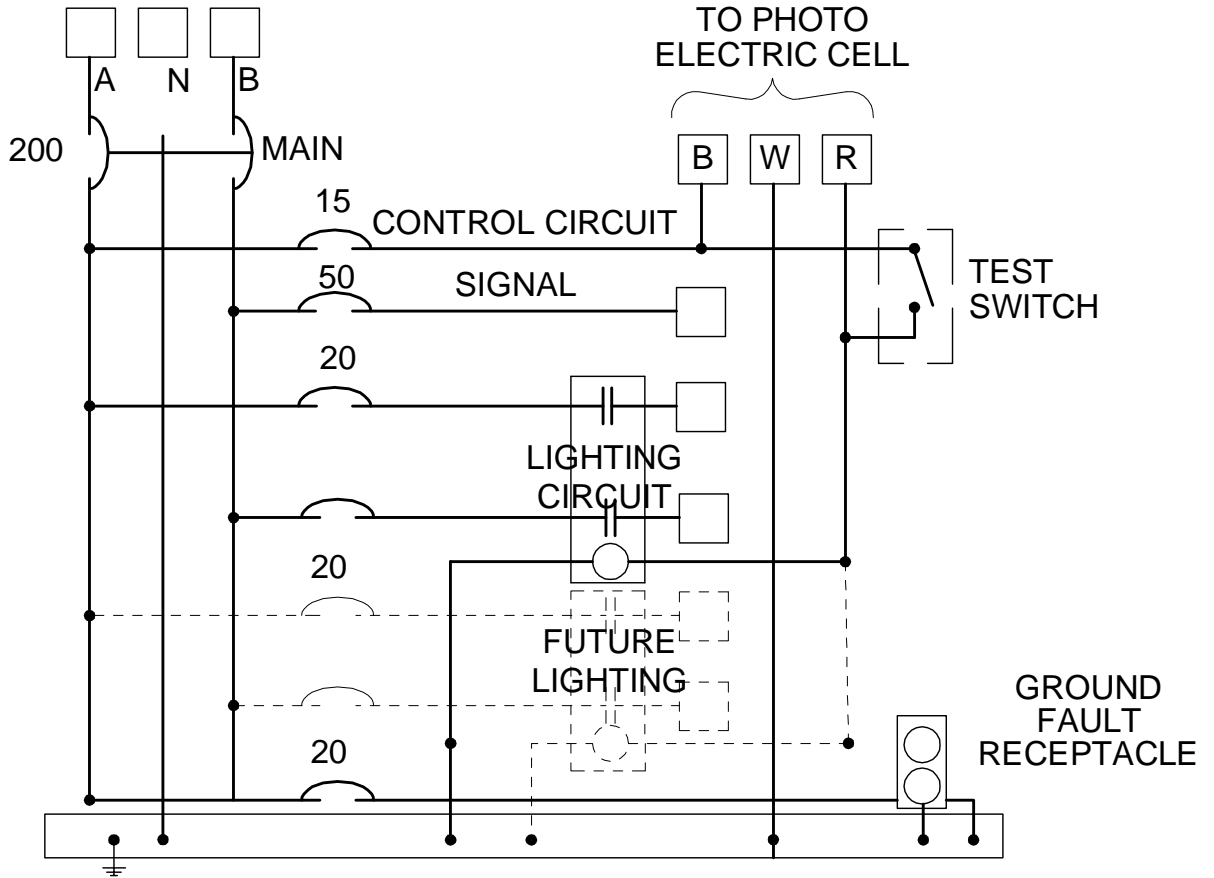


SINGLE PHASE 120/240 VOLT
GROUNDED NEUTRAL SERVICE



City of Bremerton

PUBLIC WORKS

ENGINEERING DIVISION

TYPICAL LIGHTING SERVICE
WIRING SCHEMATIC

Alteration of this drawing is prohibited. Any approval of an altered drawing is unauthorized and void.

7020

Revision Date
10/16/09